



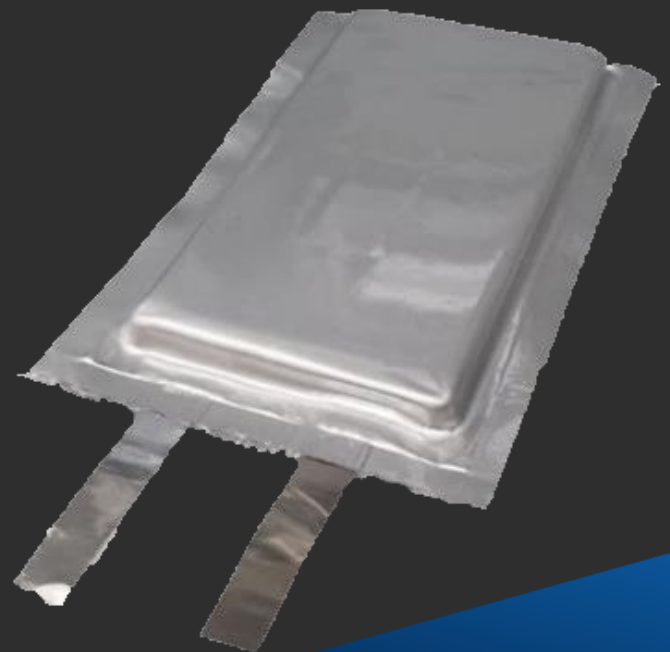
# CRG's Safe, High Energy Li-ion Cells

- Fault Tolerant
- Ballistic Safe
- Low temperature
- Man portable power
- Unmanned systems
- Domestic supply Chain

## Ordering Information:

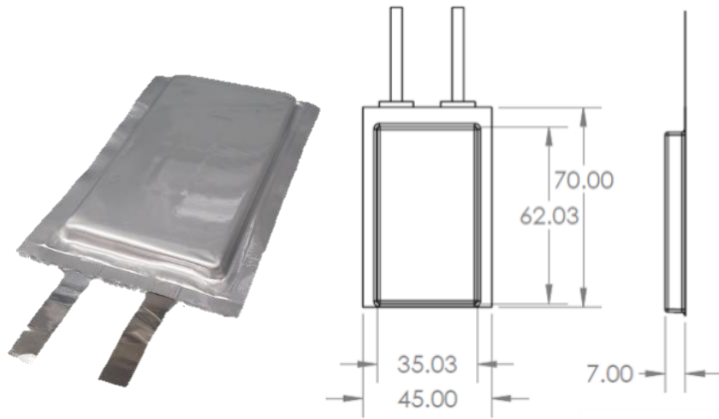
Web: [www.crgrp.com/products](http://www.crgrp.com/products)

Email: [sales@crgrp.com](mailto:sales@crgrp.com)

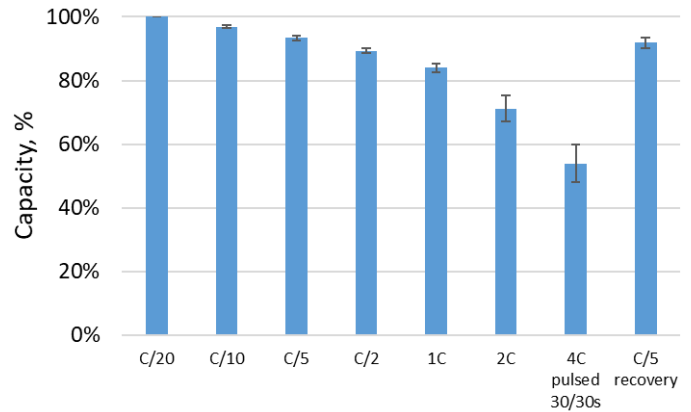


Example Pouch Cell

# Example Pouch Cell Specifications



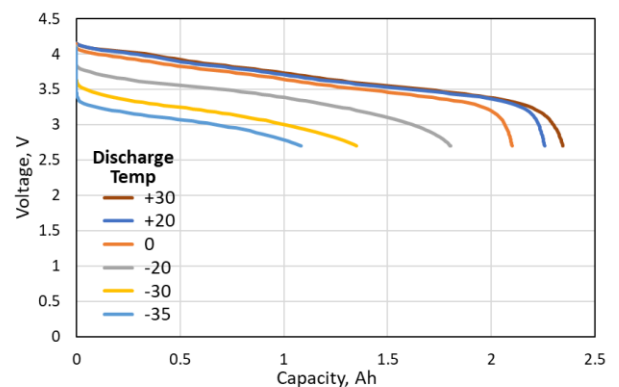
Rate performance. Charge: C/2, 4.2 V. Discharge: 2.5V



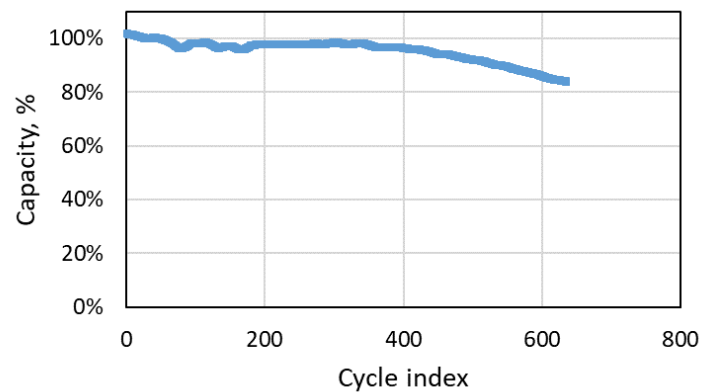
## Preliminary Specifications

Size	70 x 45 x 6.7 mm
Weight	36.1 g
Cell Type/Packaging	Pouch
Capacity	2.3 Ah
Voltage Range	2.7 - 4.2 V
Nominal Voltage	3.65 V
Sp. Energy at C/20	236 Wh/kg
Cycle Life	>600 cycles (est.)
Operating Temperature	-40 °C to 60 °C
Max Continuous Discharge	2 C
Max Pulsed Discharge (30 sec)	10 C
Max Charging Current	C/2

Temperature performance. Charge: C/2, 4.2 V. Discharge: C/2, 2.5V



Cycle life, room temperature. Charge: C/5, 4.2 V. Discharge: C/5, 2.5V



**Customizable cells range:**  
30 x 30 mm –  
100 x 100 mm

